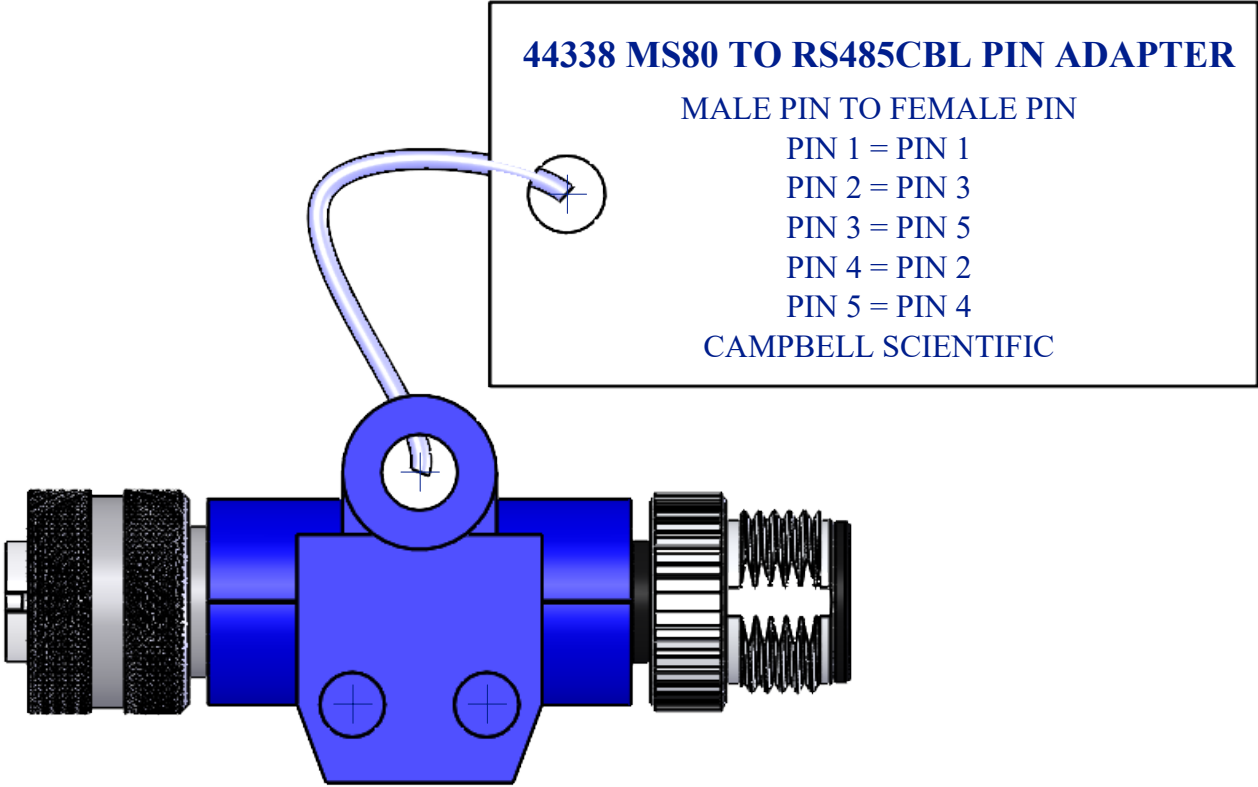


**44340 CS241DM G2 TO  
CBLCS2XXDMCBL  
PIN ADAPTER**

PINS 3 AND 5 ARE SWAPPED  
CAMPBELL SCIENTIFIC

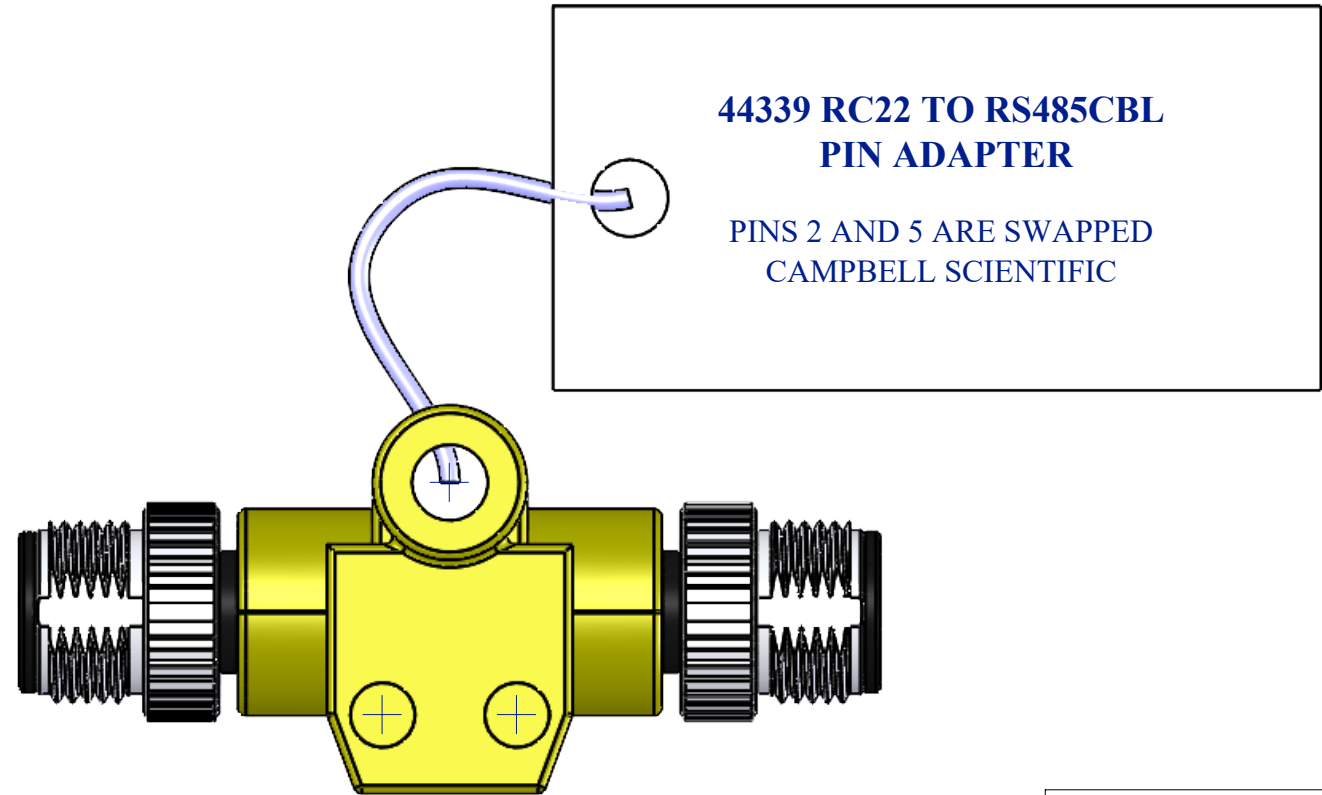


**44338 MS80 TO RS485CBL PIN ADAPTER**

MALE PIN TO FEMALE PIN

PIN 1 = PIN 1  
PIN 2 = PIN 3  
PIN 3 = PIN 5  
PIN 4 = PIN 2  
PIN 5 = PIN 4

CAMPBELL SCIENTIFIC



**44339 RC22 TO RS485CBL  
PIN ADAPTER**

PINS 2 AND 5 ARE SWAPPED  
CAMPBELL SCIENTIFIC



**44338, 44339, 44340**  
ACC RS485CBL ADAPTER

© 2013 CAMPBELL SCIENTIFIC, INC.  
THE INFORMATION CONTAINED IN THIS  
DRAWING IS THE SOLE PROPERTY OF  
CAMPBELL SCIENTIFIC, INC. ANY  
REPRODUCTION IN PART OR AS A WHOLE  
WITHOUT THE WRITTEN PERMISSION OF  
CAMPBELL SCIENTIFIC, INC. IS PROHIBITED.

SCALE 2:1

UNITS:  $\frac{\text{IN}}{[\text{MM}]}$

10/23/2025