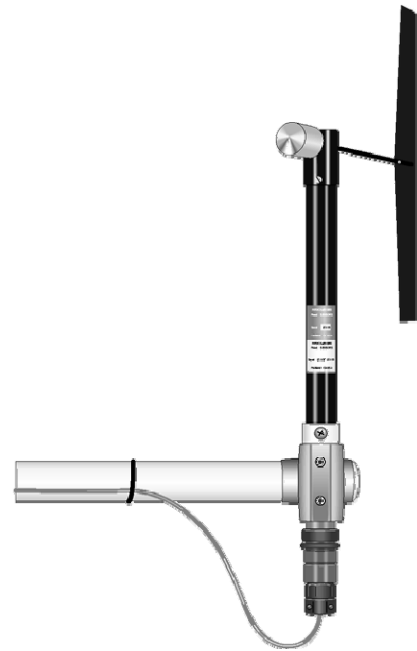


# INSTRUCTION MANUAL



## Model 024A Met One Wind Direction Sensor

Revision: 6/10



Copyright © 1989 - 2010  
Campbell Scientific, Inc.

# **Warranty and Assistance**

---

The **024A MET-ONE WIND DIRECTION SENSOR** is warranted by Campbell Scientific, Inc. to be free from defects in materials and workmanship under normal use and service for twelve (12) months from date of shipment unless specified otherwise. Batteries have no warranty. Campbell Scientific, Inc.'s obligation under this warranty is limited to repairing or replacing (at Campbell Scientific, Inc.'s option) defective products. The customer shall assume all costs of removing, reinstalling, and shipping defective products to Campbell Scientific, Inc. Campbell Scientific, Inc. will return such products by surface carrier prepaid. This warranty shall not apply to any Campbell Scientific, Inc. products which have been subjected to modification, misuse, neglect, accidents of nature, or shipping damage. This warranty is in lieu of all other warranties, expressed or implied, including warranties of merchantability or fitness for a particular purpose. Campbell Scientific, Inc. is not liable for special, indirect, incidental, or consequential damages.

Products may not be returned without prior authorization. The following contact information is for US and International customers residing in countries served by Campbell Scientific, Inc. directly. Affiliate companies handle repairs for customers within their territories. Please visit [www.campbellsci.com](http://www.campbellsci.com) to determine which Campbell Scientific company serves your country.

To obtain a Returned Materials Authorization (RMA), contact Campbell Scientific, Inc., phone (435) 753-2342. After an applications engineer determines the nature of the problem, an RMA number will be issued. Please write this number clearly on the outside of the shipping container. Campbell Scientific's shipping address is:

**CAMPBELL SCIENTIFIC, INC.**

RMA# \_\_\_\_\_  
815 West 1800 North  
Logan, Utah 84321-1784

For all returns, the customer must fill out a "Declaration of Hazardous Material and Decontamination" form and comply with the requirements specified in it. The form is available from our website at [www.campbellsci.com/repair](http://www.campbellsci.com/repair). A completed form must be either emailed to [repair@campbellsci.com](mailto:repair@campbellsci.com) or faxed to 435-750-9579. Campbell Scientific will not process any returns until we receive this form. If the form is not received within three days of product receipt or is incomplete, the product will be returned to the customer at the customer's expense. Campbell Scientific reserves the right to refuse service on products that were exposed to contaminants that may cause health or safety concerns for our employees.

# 024A Table of Contents

---

*PDF viewers note: These page numbers refer to the printed version of this document. Use the Adobe Acrobat® bookmarks tab for links to specific sections.*

<b>1. Function.....</b>	<b>1</b>
<b>2. Specifications .....</b>	<b>1</b>
<b>3. Installation.....</b>	<b>2</b>
3.1 Siting.....	2
3.2 Assembly and Mounting.....	2
<b>4. Wiring.....</b>	<b>3</b>
<b>5. Programming .....</b>	<b>3</b>
5.1 Datalogger Instruction .....	3
5.2 Calibration and Orientation .....	4
5.3 Example Programs.....	5
<b>6. General Maintenance Schedule.....</b>	<b>8</b>
6.1 6 to 12 Month Periodic Service * .....	8
6.2 24 to 36 Month Service * .....	8
<b>7. References .....</b>	<b>11</b>

## ***Appendix***

### **A. Wind Direction Sensor Orientation..... A-1**

A.1 Determining True North and Sensor Orientation.....	A-1
--	-----

## ***Figures***

3-1. Bushing Installation on 024A Sensor.....	2
3-2. Schematic of 024A Wind Direction Sensor .....	3
6-1. Cable Diagram.....	8
6-2. Parts Diagram.....	9
A-1. Magnetic Declination for the Contiguous United States .....	A-2
A-2. Declination Angles East of True North Are Subtracted From 0 to Get True North .....	A-2
A-3. Declination Angles West of True North Are Added to 0 to Get True North .....	A-3

## **Tables**

1-1. Recommended Lead Lengths .....	1
4-1. Connections to Campbell Scientific Dataloggers .....	3
5-1. Parameters for Wind Direction.....	4
6-1. Met-One Parts List Reproduced by Campbell Scientific, Inc.....	10

# 024A Met-One Wind Direction Sensor

---

## 1. Function

The Met-One 024A Wind Vane measures wind direction from 0 to 360 degrees with a 5 degree accuracy specification. The 024A utilizes a potentiometer to vary the sensor resistance in relation to wind direction.

Lead length for the 024A is specified when the sensor is ordered. Table 1-1 gives the recommended lead length for mounting the sensor at the top of a tripod/tower via a CM202 or 019ALU crossarm.

TABLE 1-1. Recommended Lead Lengths							
CM6	CM10	CM110	CM115	CM120	UT10	UT20	UT30
11'	14'	14'	19'	24'	14'	24'	37'

## 2. Specifications

Range	0 to 360 degrees
Threshold	0.447 m/s (1.0 mph)
Accuracy	±5 degrees
Temperature Range	-50°C to +70°C
Delay Distance	Less than 1.5 m (5 ft.)
Damping Ratio	
Standard	0.25
Optional	0.4
Potentiometer Specifications	
Sand, Dust, and Fungus	MIL-E-5272
Salt Spray	MIL-E-12934
Resistance	0-10,000 Ohms
Weight	450 g (1 lb.)
Dimensions	
Overall height	13.3" (33.8 cm)
Overall length	17.6" (44.7 cm)
Tail height	12" (30.5 cm)
Tail Width	3" (7.6 cm)

### 3. Installation

#### 3.1 Siting

Locate wind sensors away from obstructions (e.g. trees and building). As a general rule of thumb there should be a horizontal distance of at least ten times the height of the obstruction between the windset and the obstruction. If it is necessary to mount the sensors on the roof of a building, the height of the sensors, above the roof, should be at least 1.5 times the height of the building. See Section 7 for a list of references that discuss siting wind direction sensors.

#### 3.2 Assembly and Mounting

Remove the Allen hex screw in the lower part of the sensor housing and insert the 024A in the mounting bushing (see Figure 3-1). Tighten the screw in the bushing onto the sensor housing.

Mount the crossarm to the tripod or tower. Orient the crossarm North-South, with the CM220 mount or 17953 1" x 1" NU-RAIL fitting on the North end. Insert the sensor in the CM220 or NU-RAIL fitting. Align the sensor so that the counter weight points to true South and tighten the u-bolts on the CM220 or tighten the set screws on the NU-RAIL fitting.

**NOTE**

Appendix A contains detailed information on determining and using a compass and the magnetic declination for the site.

Connect the cable assembly to the sensor receptacle.

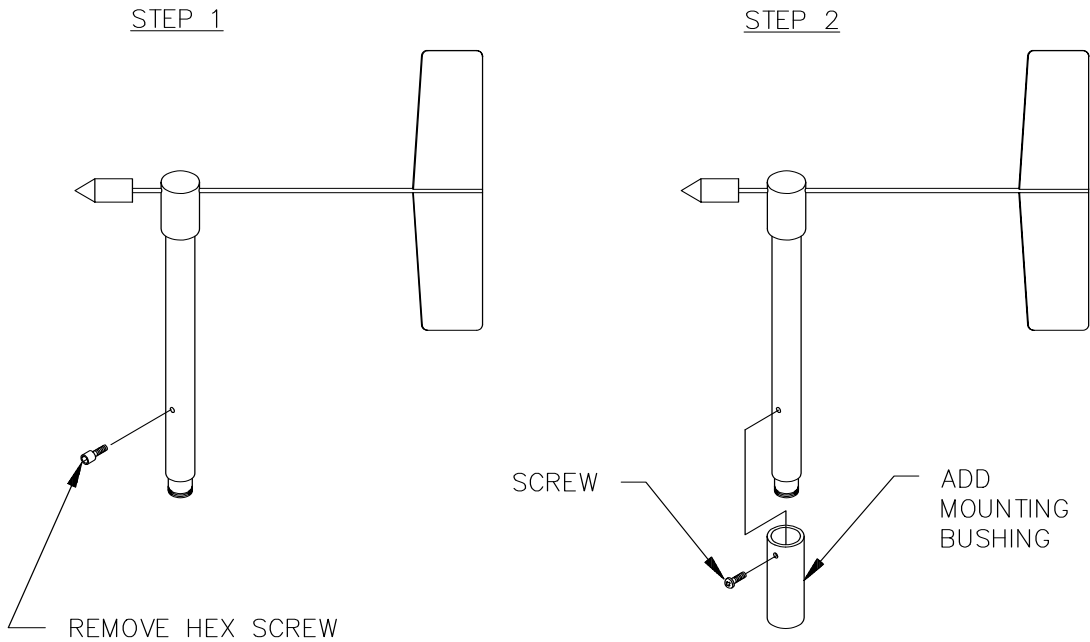


FIGURE 3-1. Bushing Installation on 024A Sensor

## 4. Wiring

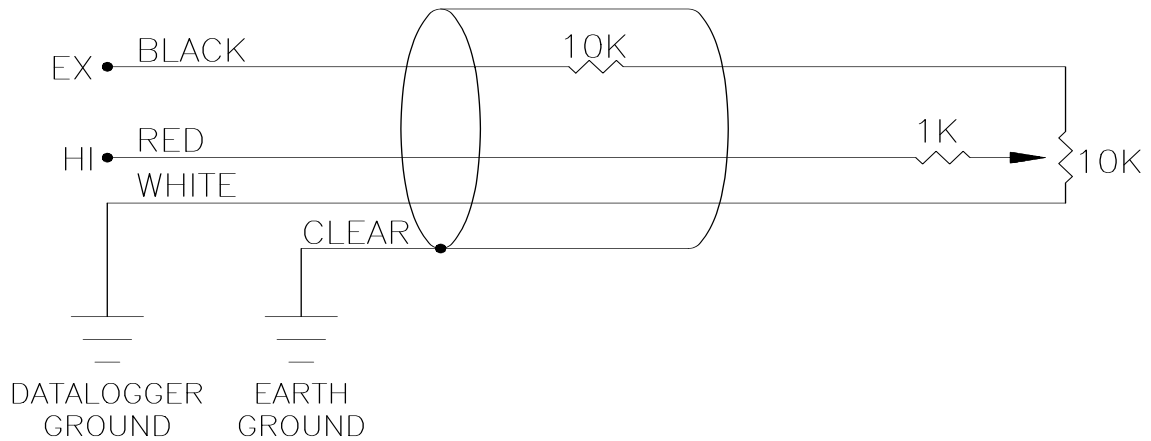


FIGURE 4-1. Schematic of 024A Wind Direction Sensor

Figure 4-1, Figure 6-1, and Table 4-1 shows wiring. When Short Cut for Windows software is used to create the datalogger program, the sensor should be wired to the channels shown on the wiring diagram created by Short Cut.

TABLE 4-1. Connections to Campbell Scientific Dataloggers

		CR800 CR5000 CR3000 CR1000	CR510 CR500 CR10(X)	21X CR7 CR23X	CR200(X)
Color	Description	SE Analog	SE Analog	SE Analog	SE Analog
Red	Wind Dir. Signal	Excitation	Excitation	Excitation	Excitation
Black	Wind Dir. Excitation	⏏	AG	⏏	⏏
White	Wind Dir. Reference	⏏	G	⏏	⏏
Clear	Wind Dir. Shield	⏏		⏏	⏏

## 5. Programming

### NOTE

This section is for users who write their own programs. A datalogger program to measure this sensor can be created using Campbell Scientific's Short Cut Program Builder software. You do not need to read this section to use Short Cut.

### 5.1 Datalogger Instruction

The datalogger instruction that measures the 024A is datalogger dependent. The BRHalf measurement instruction is used for our CR800, CR850, CR1000, CR3000, and CR5000 dataloggers. Our CR200(X)-series dataloggers use the EX-DEL\_SE. Our Edlog dataloggers (e.g., CR510, CR10(X), CR23X) use

Instruction 4 – Excite, Delay, Measure. Excitation voltages, range codes, and delays for CSI dataloggers are listed in Table 5-1. The process for determining the correct multiplier is provided in Section 5.2.

**TABLE 5-1. Parameters for Wind Direction**

	<b>CR200(X)</b>	<b>CR10(X), CR510</b>	<b>CR7, 21X, CR23X</b>	<b>CR800, CR850, CR1000</b>	<b>CR5000, CR3000</b>
Measurement Range	2500 mV	250 mV, fast	500 mV, fast	2500 mV, 250 microsecond integration, reverse excitation	5000 mV, 250 microsecond integration, reverse excitation
Excitation Voltage	2500 mV	500 mV	1000 mV	2500 mV	5000 mV
Delay or Settling Time	2 ms	2 ms	2 ms	2 ms	2 ms
Multiplier	See Section 5.2	See Section 5.2	See Section 5.2	See Section 5.2	See Section 5.2
Offset	0	0	0	0	0

## 5.2 Calibration and Orientation

Conversion of the voltage output into wind direction is done by entering the proper multiplier. The proper multiplier is calculated by dividing 360 by the full scale input voltage (i.e., 360/FSIV). The full scale input voltage (FSIV) is the maximum voltage output from the wind vane. This is found by creating a datalogger program with a multiplier of 1, the default excitation, and a fast scan interval. With a multiplier of 1, the value stored in the variable or input location is simply the voltage output. Slowly turn the wind vane; the shoulder screw must first be removed. The maximum value observed is the full scale input voltage (FSIV).

**NOTE**

If the reading is -99999, exceeds 500 on the 21X or CR7, or exceeds 250 on the CR10, then reduce the millivolts of excitation by 5 mV.

---

Multiplier    360/FSIV\*  
Offset            0.0

\*FSIV = Full scale input voltage

Enter the calculated multiplier in the program.

Orientation of the 024A Wind Direction Sensor should be complete if the 024A counter weight was aligned due south.

## 5.3 Example Programs

**NOTE** For these examples, the multiplier is listed as 1. The multiplier is unique to individual devices. Follow the procedure provided in Section 5.2 to acquire the correct multiplier for your sensor.

```
'CR200(X) Series
'Created by Short Cut (2.5)

'Declare Variables and Units
Public Batt_Volt
Public WindDir
Public NewMult

Units Batt_Volt=Volts
Units WindDir=degrees

'Define Data Tables
DataTable(Table2,True,-1)
    DataInterval(0,1440,Min)
    Minimum(1,Batt_Volt,False,False)
EndTable

'Main Program
BeginProg
    Scan(10,Sec)
        'Default Datalogger Battery Voltage measurement Batt_Volt:
        Battery(Batt_Volt)
        '024A Wind Direction Sensor measurement WindDir:
        ExDeISE(WindDir,1,1,1,2500,2000,1.0,0)
        NewMult=360/WindDir
        'Call Data Tables and Store Data
        CallTable(Table2)
    NextScan
EndProg
```

```
'CR1000
'Created by Short Cut (2.5 Beta)

'Declare Variables and Units
Public Batt_Volt
Public WindDir
Public NewMult

Units Batt_Volt=Volts
Units WindDir=degrees

'Define Data Tables
DataTable(Table1,True,-1)
    DataInterval(0,60,Min,10)
    Sample(1,WindDir,FP2)
EndTable

DataTable(Table2,True,-1)
    DataInterval(0,1440,Min,10)
    Minimum(1,Batt_Volt,FP2,False,False)
EndTable

'Main Program
BeginProg
    Scan(5,Sec,1,0)
        'Default Datalogger Battery Voltage measurement Batt_Volt:
        Battery(Batt_Volt)
        '024A Wind Direction Sensor measurement WindDir:
        BrHalf(WindDir,1,mV2500,1,1,1,2500,True,2000,250,1.0,0)
        NewMult=360/WindDir
        'Call Data Tables and Store Data
        CallTable(Table1)
        CallTable(Table2)
    NextScan
EndProg
```

```
'CR3000
'Created by Short Cut (2.5)

'Declare Variables and Units
Public Batt_Volt
Public WindDir
Public NewMult

Units Batt_Volt=Volts
Units WindDir=degrees

'Define Data Tables
DataTable(Table1,True,-1)
    DataInterval(0,60,Min,10)
    Sample(1,WindDir,FP2)
EndTable
```

```

DataTable(Table2,True,-1)
  DataInterval(0,1440,Min,10)
  Minimum(1,Batt_Volt,FP2,False,False)
EndTable

'Main Program
BeginProg
  Scan(5,Sec,1,0)
  'Default Datalogger Battery Voltage measurement Batt_Volt:
  Battery(Batt_Volt)
  '024A Wind Direction Sensor measurement WindDir:
  BrHalf(WindDir,1,mV5000,1,1,1,5000,True,2000,250,1.0,0)
  NewMult=360/WindDir
  'Call Data Tables and Store Data
  CallTable(Table1)
  CallTable(Table2)
  NextScan
EndProg

```

```

;{CR10X}
;
*Table 1 Program
01: 10      Execution Interval (seconds)

;Measure sensor. Multiplier is unique to individual devices.
1: Excite-Delay (SE) (P4)
  1: 1      Reps
  2: 14     250 mV Fast Range
  3: 1      SE Channel
  4: 1      Excite all reps w/Exchan 1
  5: 2      Delay (0.01 sec units)
  6: 500    mV Excitation
  7: 1      Loc [ wind_dir ]
  8: 1.0    Multiplier
  9: 0.0    Offset

;Store measurements in final storage
2: If time is (P92)
  1: 0000   Minutes (Seconds --) into a
  2: 60     Interval (same units as above)
  3: 10     Set Output Flag High (Flag 0)

3: Set Active Storage Area (P80)
  1: 1      Final Storage Area 1
  2: 101    Array ID

4: Real Time (P77)
  1: 1220   Year,Day,Hour/Minute (midnight = 2400)

5: Sample (P70)
  1: 1      Reps
  2: 1      Loc [ wind_dir ]

```



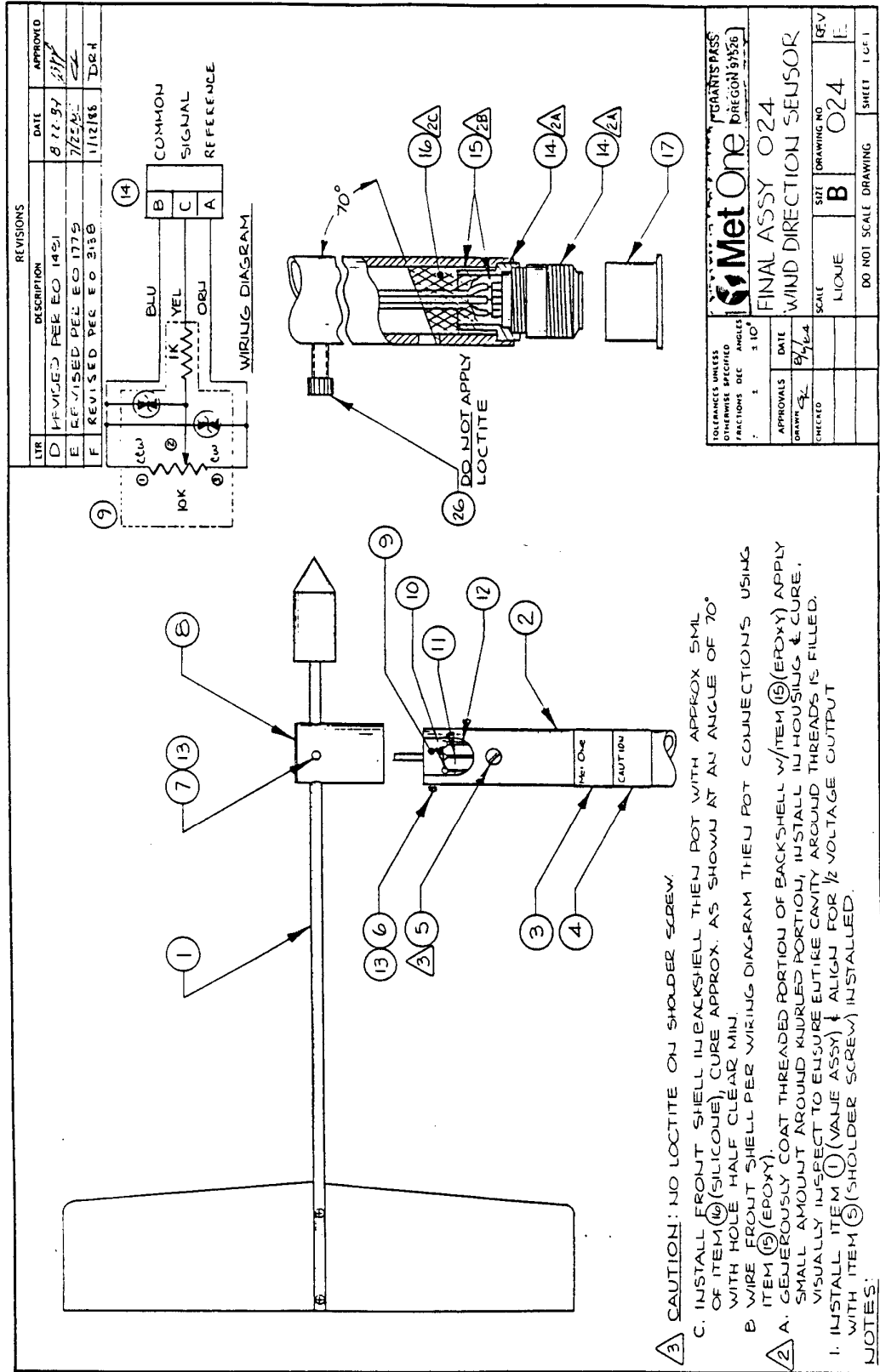


FIGURE 6-2. Parts Diagram

<b>TABLE 6-1. Met-One Parts List Reproduced by Campbell Scientific, Inc.</b>			
<b>Item</b>	<b>Part No.</b>	<b>Description.</b>	<b>Qty./Assy</b>
1	102105	Vane Assembly	1
2	101685-1	Wind Dir. Support	1
3	101049-2	Label, Wind Dir.	1
4	101789	Label, Caution	1
5	860015	Screw, Shoulder	1
6	601100	Screw, Pan Hd Ph, 2-56x3/16	3
7	601680	Scrw, Set A/H, 8-32x3/8	2
8	101687	Label, Met-One	1
9	102017	Assy, Potentiometer	1
10	980495	Wire, 22Ga, Yel	1
11	980450	Wire, 22Ga, Blu	1
12	980475	Wire, 22Ga, Orn	1
13	995425	Loctite 222	A/R
14	500280	Connector, 6 Pin	1
15	995100	Adhesive, Epoxy	A/R
16	995060	Adhesive, Silicone	5ml
17	510020	Cap	1
18			
19			
20			
21	101806	Assembly, Cable	Ref
22	101699	Assy Instructions	Ref
23	101706	014 & 024 Installation	Ref
24	101697	Wir. Diagram	Ref
25			
26	601850	Scrw, Cap A/H SS 10-32x5/8	1

## 7. References

The following references give detailed information on siting wind speed and wind direction sensors.

EPA, 1989: *Quality Assurance Handbook for Air Pollution Measurements System*, Office of Research and Development, Research Triangle Park, NC, 27711.

EPA, 1987: *On-Site Meteorological Program Guidance for Regulatory Modeling Applications*, EPA-450/4-87-013, Office of Air Quality Planning and Standards, Research Triangle Park, NC 27711.

The State Climatologist, 1985: *Publication of the American Association of State Climatologists: Height and Exposure Standards*, for Sensors on Automated Weather Stations, vol. 9, No. 4.

WMO, 1983: *Guide to Meteorological Instruments and Methods of Observation*, World Meteorological Organization, No. 8, 5th edition, Geneva, Switzerland.



# ***Appendix A. Wind Direction Sensor Orientation***

---

## **A.1 Determining True North and Sensor Orientation**

Orientation of the wind direction sensor is done after the datalogger has been programmed, and the location of True North has been determined. True North is usually found by reading a magnetic compass and applying the correction for magnetic declination; where magnetic declination is the number of degrees between True North and Magnetic North. Magnetic declination for a specific site can be obtained from a USGS map, local airport, or through a computer service offered by the USGS at [www.ngdc.noaa.gov/geomag](http://www.ngdc.noaa.gov/geomag). A general map showing magnetic declination for the contiguous United States is shown in Figure A-1.

Declination angles east of True North are considered negative, and are subtracted from 0 degrees to get True North as shown Figure A-2. Declination angles west of True North are considered positive, and are added to 0 degrees to get True North as shown in Figure A-3. For example, the declination for Logan, Utah is 14° East. True North is  $360^\circ - 14^\circ$ , or  $346^\circ$  as read on a compass.

Orientation is most easily done with two people, one to aim and adjust the sensor, while the other observes the wind direction displayed by the datalogger.

1. Establish a reference point on the horizon for True North.
2. Sighting down the instrument center line, aim the nose cone, or counterweight at True North. Display the input location or variable for wind direction using a hand-held keyboard display, PC, or palm.
3. Loosen the u-bolt on the CM220 or the set screws on the Nu-Rail that secure the base of the sensor to the crossarm. While holding the vane position, slowly rotate the sensor base until the datalogger indicates 0 degrees. Tighten the set screws.

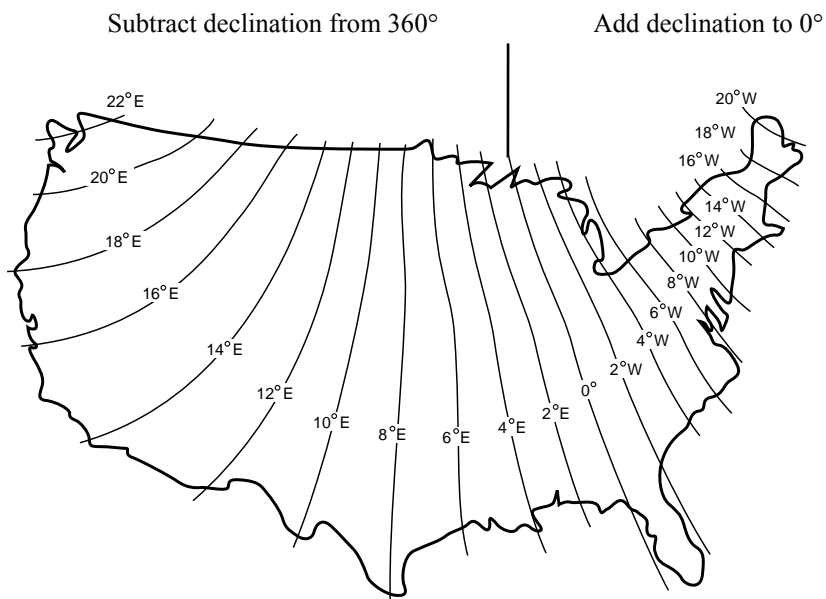


FIGURE A-1. Magnetic Declination for the Contiguous United States

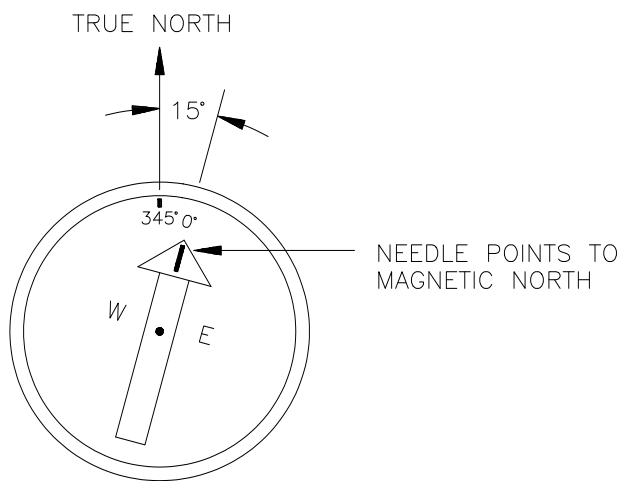
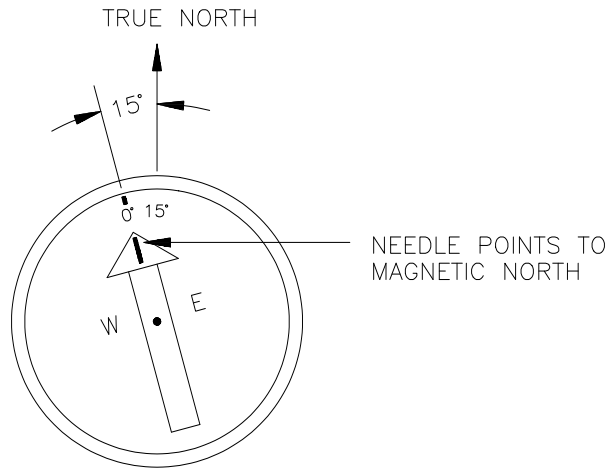


FIGURE A-2. Declination Angles East of True North Are Subtracted From 0 to Get True North



*FIGURE A-3. Declination Angles West of True North Are Added to 0 to Get True North*





## **Campbell Scientific Companies**

---

**Campbell Scientific, Inc. (CSI)**

815 West 1800 North  
Logan, Utah 84321  
UNITED STATES  
www.campbellsci.com • info@campbellsci.com

**Campbell Scientific Africa Pty. Ltd. (CSAf)**

PO Box 2450  
Somerset West 7129  
SOUTH AFRICA  
www.csafrica.co.za • cleroux@csafrica.co.za

**Campbell Scientific Australia Pty. Ltd. (CSA)**

PO Box 444  
Thuringowa Central  
QLD 4812 AUSTRALIA  
www.campbellsci.com.au • info@campbellsci.com.au

**Campbell Scientific do Brazil Ltda. (CSB)**

Rua Luisa Crapsi Orsi, 15 Butantã  
CEP: 005543-000 São Paulo SP BRAZIL  
www.campbellsci.com.br • suporte@campbellsci.com.br

**Campbell Scientific Canada Corp. (CSC)**

11564 - 149th Street NW  
Edmonton, Alberta T5M 1W7  
CANADA  
www.campbellsci.ca • dataloggers@campbellsci.ca

**Campbell Scientific Centro Caribe S.A. (CSCC)**

300 N Cementerio, Edificio Breller  
Santo Domingo, Heredia 40305  
COSTA RICA  
www.campbellsci.cc • info@campbellsci.cc

**Campbell Scientific Ltd. (CSL)**

Campbell Park  
80 Hathern Road  
Shepshed, Loughborough LE12 9GX  
UNITED KINGDOM  
www.campbellsci.co.uk • sales@campbellsci.co.uk

**Campbell Scientific Ltd. (France)**

Miniparc du Verger - Bat. H  
1, rue de Terre Neuve - Les Ulis  
91967 COURTABOEUF CEDEX  
FRANCE  
www.campbellsci.fr • info@campbellsci.fr

**Campbell Scientific Spain, S. L.**

Avda. Pompeu Fabra 7-9, local 1  
08024 Barcelona  
SPAIN  
www.campbellsci.es • info@campbellsci.es

*Please visit [www.campbellsci.com](http://www.campbellsci.com) to obtain contact information for your local US or International representative.*